

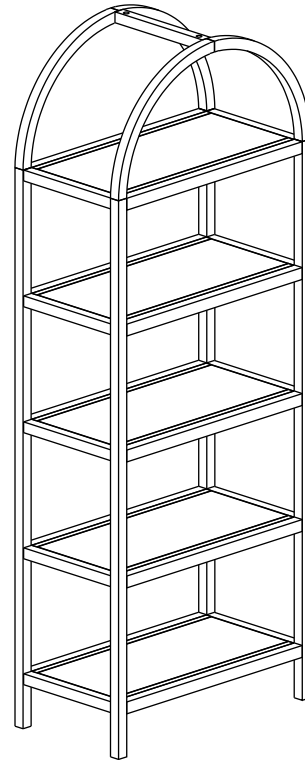
MOE'S

h o m e c o l l e c t i o n

ASSEMBLY INSTRUCTIONS.

EERO BOOKCASE NAUTRAL

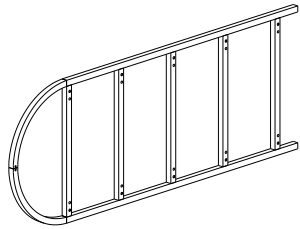
BC-1115-24



THANK YOU FOR YOUR PURCHASE!

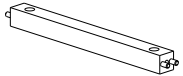
PART LIST

A



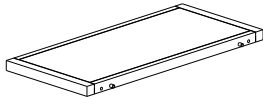
Frame Legs = 2 pcs

B



Stretcher = 1 pc

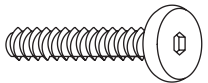
C



Shelf = 5 pcs

HARDWARE LIST

1. Bolt



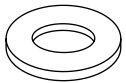
M6 24pcs

2. Spring washer



M 6.5 24pcs

3. Flat washer



M6.5 24pcs

4. Allen key



1 pc

5. Cam Bolts



2 pcs

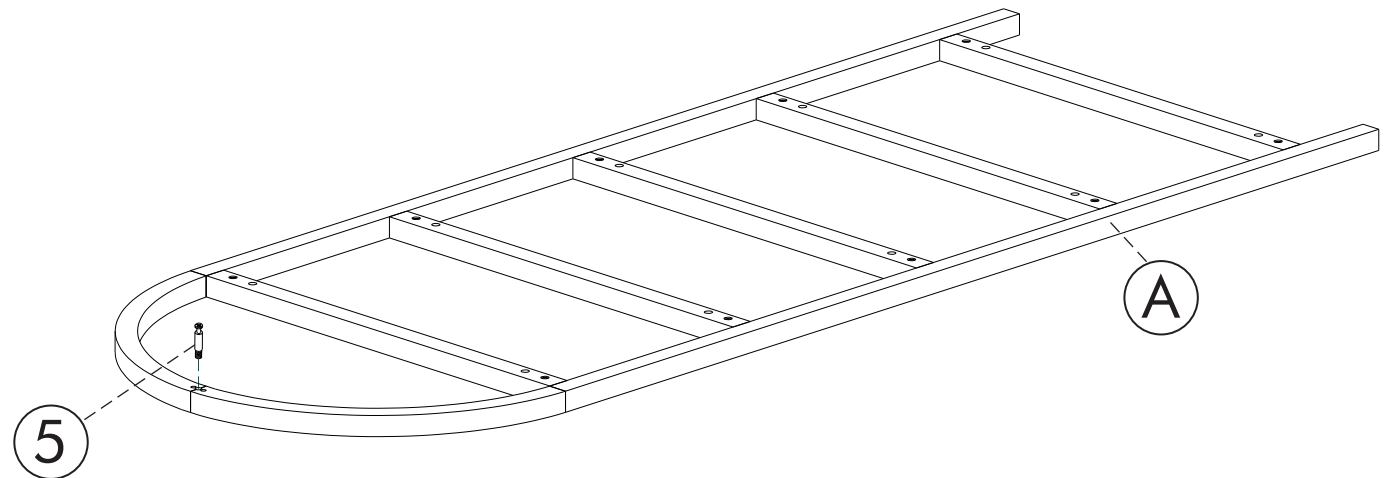
6. Cam Locks



2 pcs

Step 1:

Insert Cam Bolts **5**
Into Frame Leg **A**
as shown



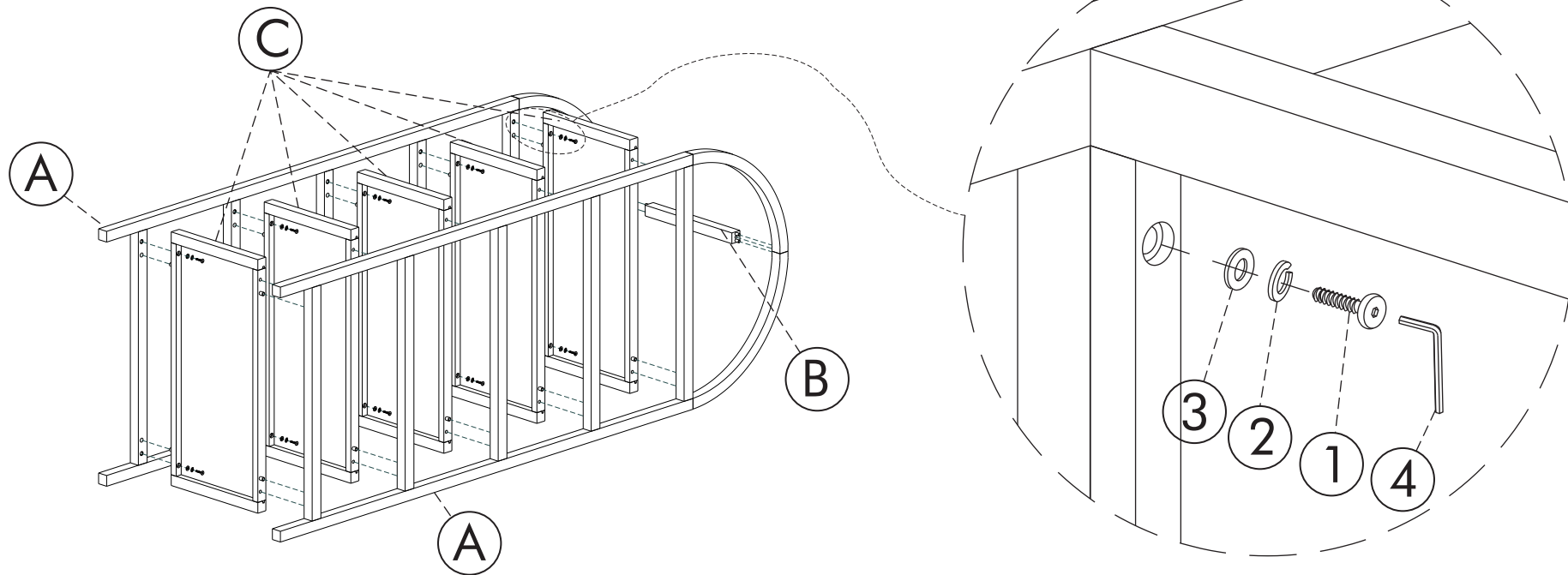
NOTES.

Thank you for purchasing this quality product! Be sure to check all packing material carefully for small part that may have come loose inside the carton during shipping.

CAUTION:

The item is heavy, assembly should be performed by two people.

Step 2:



Step 3:

Insert Cam locks (6)
into the Stretcher (B)
Press firmly together.
Turn the cam lock
clockwise with
a philipshead screwdriver
to lock.

